

TRUE OUTDOOR LONG RANGE WIRELESS

- 802.11b 11 Mbps Client Bridge
- Full power over Ethernet support
- Software adjustable RF Power (100-250 mw)
- WEP, WPA and 802.1x support
- True DHCP client
- MAC address cloning
- Web based configuration utility
- High flash memory for large size firmware upgrade
- High DRAM to support a large network
- Spanning tree protocol for large expanding WISP network



Operates as client to the standard 802.11b Access point.

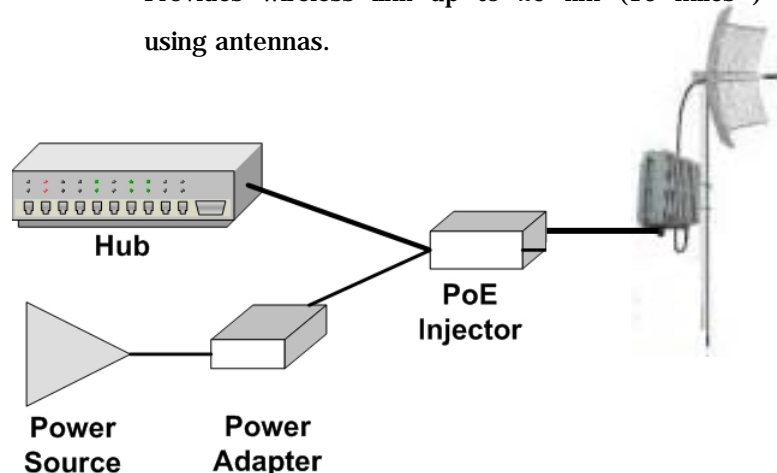
The outdoor unit is a high power, multi carrier radio unit that connects to an external antenna.

The base station operates in full duplex mode, dramatically increasing system efficiency.

It is designed to provide high system gain and interference robustness utilizing high transmit power and low noise figure.

It has multi channel functionality further enhancing interference immunity.

Provides wireless link up to 25 km (16 miles) using antennas.



General specifications

Standards	IEEE802.11b for wireless LAN,IEEE802.3 for Wired LAN
Modulation technology	DSSS (DPBSK, DQPSK,CCK)
Range	Open space upto 25 km @ 1 Mbps
Data Rates	1,2,5.5,11 Mbps
Media Access Control	CSMA/CA with ACK
Certification	FCC/CE

Software Features

Security	WEP64/128-bit WPA TKIP 802.1x
Operating Mode	Client Bridge
Software Support	802.11f (IAPP) Auto Channel Selection 802.1d with spanning tree protocol DHCP client and Server WEB GUI based management Configurations save and reload for WEB GUI Built-in Site Survey

Radio Specifications

Frequency Range:	2400-2.497 Ghz. ISM band
Channels	USA/Canada: 11, Japan: 14, France: 4, Europe: 13
Receiver minimum input Sensitivity (typical)	-87 dBm +/-2dB (11 Mbps) @8%
RF Output power (Software configurable)	250 mw, 200mw, 150 mw, 100mw

Physical Specifications

Dimensions (LxWxD)	6.75"x4.75"x 2.25"
Weight (lb)	Approximately 1.7
Power supply	Power over Ethernet +48VDC/0.7A Continuous Transmitting: 760 mA (Max) Continuous Receiving: 460 mA (Max)
Antenna	One External Antenna N-type Female connector
Lan port	One waterproof 10/100 LAN port

Environment Specifications

Operating Temperature	-20 deg Celsius ~ 50 deg Celsius
Humidity	10% to 90%

MARKETED AND DISTRIBUTED IN INDIA BY:

BRIJ INFOTECH PVT. LTD.
A4/16, SIDDHARTH NAGAR II, VIVEK COLLEGE ROAD,
GOREGAON (WEST), MUMBAI – 400062
Phone: 022-28789630, email: sales@brijindia.com
Website:www.brijindia.com

ibridge Network Inc.
28, BEDFORD ROAD, EAST HAM, LONDON, E62NN, UK